



humantouch.com

800.355.2762

©2025 Human Touch®, LLC. Patents pending and intellectual property rights enforced.
No medical claims are warranted or implied by the use of this product.
Human Touch is a trademark of Human Touch®, LLC.
HT-Laevo-NA-A0



use & care manual

Register your product **ONLINE** today

www.humantouch.com/register

Register your product **ONLINE** today

www.humantouch.com/register

ENG

use & care manual

FRC

mode d'emploi et d'entretien



For **more than four decades**, Human Touch® has established itself as an industry leader that is changing the lives of its customers with products and services that help them **feel, perform, and live their best**. Developed in cooperation with the medical community and industry experts, we deliver products that blend patented technology, craftsmanship and intelligent ergonomics with superior design to enable therapeutic relief for everyone.

Our industry-leading massage chairs, Perfect Chair® recliners and evolving set of innovative solutions share attributes in their ease-of-use, attention to performance and quality, and design to adapt to most any lifestyle. These attributes are highly valued by our customers and garner broad industry award and recognition. As a result, Human Touch empowers people to enjoy greater health and vitality in their professions, pursuits and everyday lives. And with a population increasingly aware of the benefits of wellness, Human Touch extends its brand leadership and available **solutions for the benefit of everyone**.

humantouch.com

Proudly endorsed by:



Register your product at www.humantouch.com to ensure your product is in our system to simplify the warranty process should you ever need it.

LAEVO

ZG CHAIR

WITH **LIFT ASSIST**

THE LAEVO ZG CHAIR ARTFULLY BLENDS THE BEST OF AESTHETICS AND WELLNESS IN A SEATING AND LIFT ASSIST EXPERIENCE THAT TRANSCENDS THE HIGHEST STANDARDS OF COMFORT.

The Laevo features a smooth electric recline that eases you into zero gravity and cradles your body for unparalleled relaxation.

The memory feature lets you set the perfect position so you can easily return to your favorite seating, with just one button. Then simply sit back and enjoy the warmth of your heated chair and calming vibration massage.

Ready to exit the chair? With easy-access arm controls, the touch of a button lifts you to a safe and accessible position that allows you to exit with ease.

keep it safe

IMPORTANT SAFETY INSTRUCTIONS

When using an electrical appliance, basic precautions should always be followed, including the following:

READ ALL INSTRUCTIONS BEFORE USING THIS APPLIANCE.



DANGER: To reduce the risk of electrical shock

Always unplug this product from the electrical outlet immediately after using and before cleaning.



WARNING: To reduce the risk of burns, fire, electric shock or injury to persons:

- If the supply cord is damaged, it must be replaced by the manufacturer or its service agent or a similarly qualified person in order to avoid a hazard.
- An appliance should never be left unattended when plugged in. Unplug from outlet when not in use, and before putting on or taking off parts.
- Do not operate under a blanket or pillow. Excessive heating can occur and cause fire, electric shock, or injury to persons.
- Close supervision is necessary when this product is used by, on, or near children, invalids, or disabled persons. Keep children away from extended foot support (or other similar parts).
- Use this product only for its intended use as described in this manual. Do not use attachments not recommended by the manufacturer.
- Never operate this product if it has a damaged cord or plug, if it is not working properly, if it has been dropped or damaged, or dropped into water. Return this product to a service center for examination and repair.
- Do not carry this appliance by supply cord or use cord as a handle.
- Always keep the power cord away from heated surfaces.
- Never operate this product with the air openings blocked. Keep the air openings free of lint, hair, and the like.
- Never drop or insert any object into any opening.
- Do not use outdoors. Household and indoor use only.
- Do not operate where aerosol (spray) products are being used or where oxygen is being administered.
- To disconnect, turn all controls to the OFF position, then remove plug from outlet.
- Risk of Injury – Keep children away from extended foot support (or other similar parts).
- Do not use on unexplained calf pain.
- Do not use this product when standing on a damp floor, or when any part of the body is in contact with plumbing or any similar ground.
- Do not use this product if noise above normal sound is heard.
- Do not stand on or in appliance. Use only while seated.
- This appliance is not intended for use by persons (including children) with reduced physical, sensory or mental capabilities, or lack of experience and knowledge, unless they have been given supervision or instruction concerning use of the appliance by a person responsible for their safety. Children should be supervised to ensure that they do not play with the appliance.
- To reduce the risk of electric shock, this furnishing has a polarized plug (one blade is wider than the other). This plug will fit in a polarized outlet only one way. If the plug does not fit fully in the outlet, reverse the plug. If it still does not fit, contact a qualified electrician to install the proper outlet. Do not change the plug in any way.

- For loading, always put heavier items at the bottom and not near the top in order to help prevent the possibility of the furnishing tipping over.
- The maximum intended load is 285 pounds.
- Risk of fire and shock, use only 'SJT' type '2x18' AWG supply cord.
- Do not disassemble the seat cushion and surrounding leather. Disconnect supply circuit before cleaning.

Safety Precautions

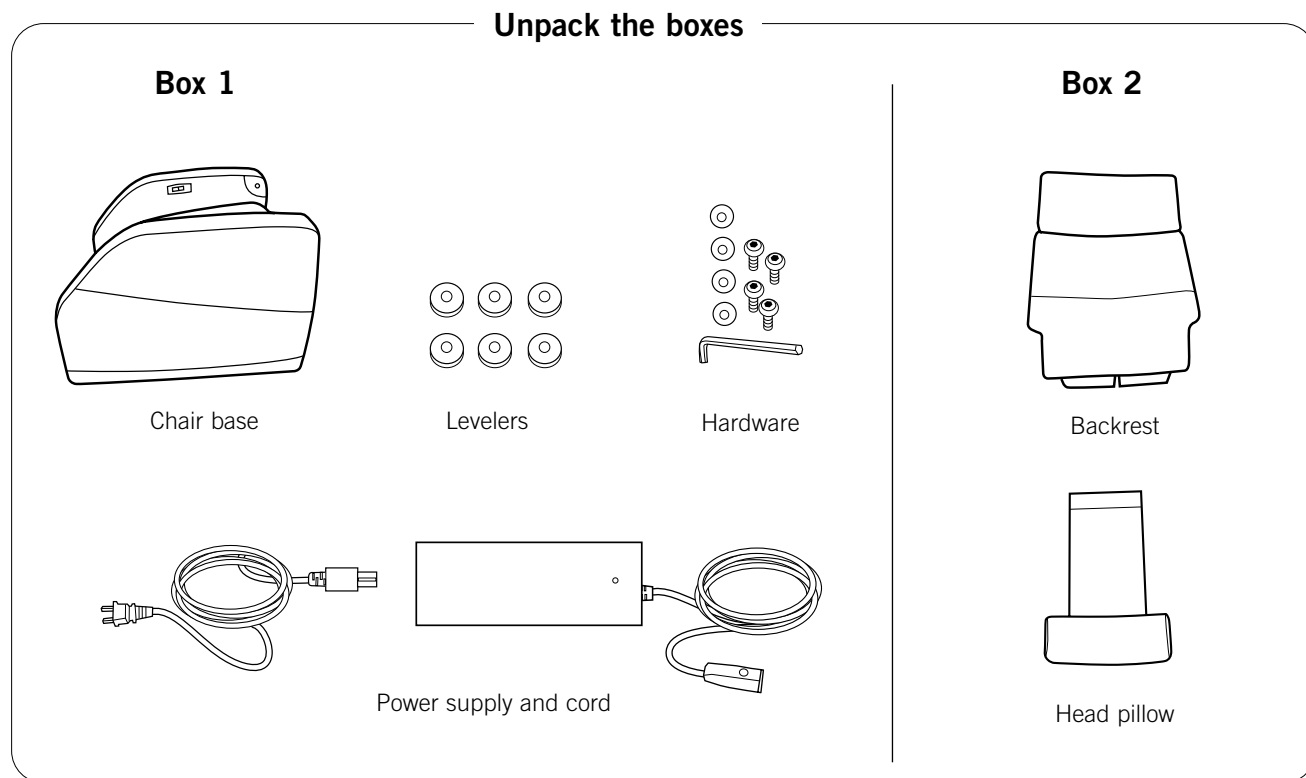
- Comfortable clothing is recommended while using this product.
- If you feel any abnormal discomfort during the operation of this product, turn off the power immediately and do not use the product. Consult your physician.
- Do not pull on the AC cord.
- When using this product after it has been in storage, check to see that the product is operating properly prior to use.
- Always confirm that there are no obstacles behind the product and that there is sufficient space to recline.

SAVE THESE INSTRUCTIONS

- This product is designed for personal in-home use. Unauthorized commercial use will void warranty.
- **Do not attempt to repair this product yourself.**

get ready

Your zero gravity recliner requires some simple assembly. Just attach the backrest to the chair base, connect the hoses and cables, place the head pillow and remote, and you're done!



2. Place the backrest in front of the chair base, then feed the backrest cables and hoses between the seat cushion and the backrest mounting frame (Fig.2).

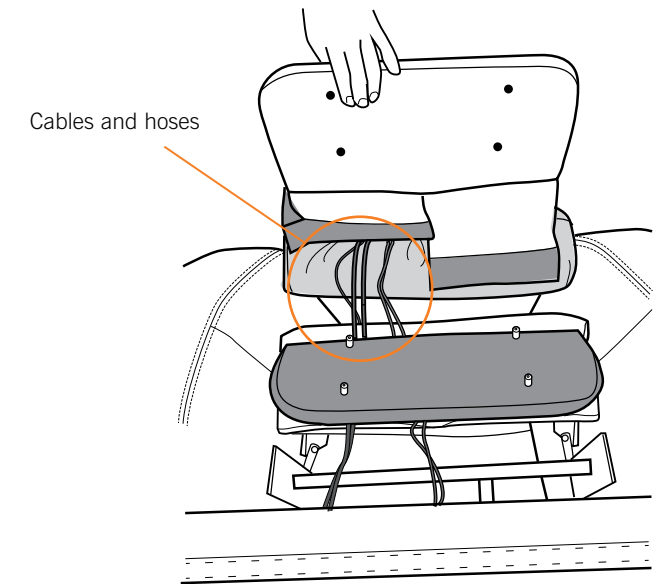


Fig.2

ASSEMBLY

Install the backrest

Tip the chair base forward onto the front of the base (Fig.1).

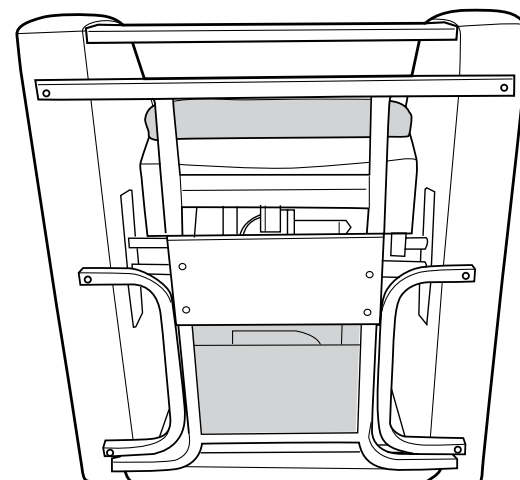


Fig.1

3. Place the backrest face-down on the back of the chair base (Fig.3).
4. While supporting the backrest, align the four holes on the backrest mounting plate with the corresponding posts on the chair base, then press the mounting plate firmly onto the posts (Fig.3).
5. Install a washer onto each screw, then install the four screws to secure the backrest (Fig.3).

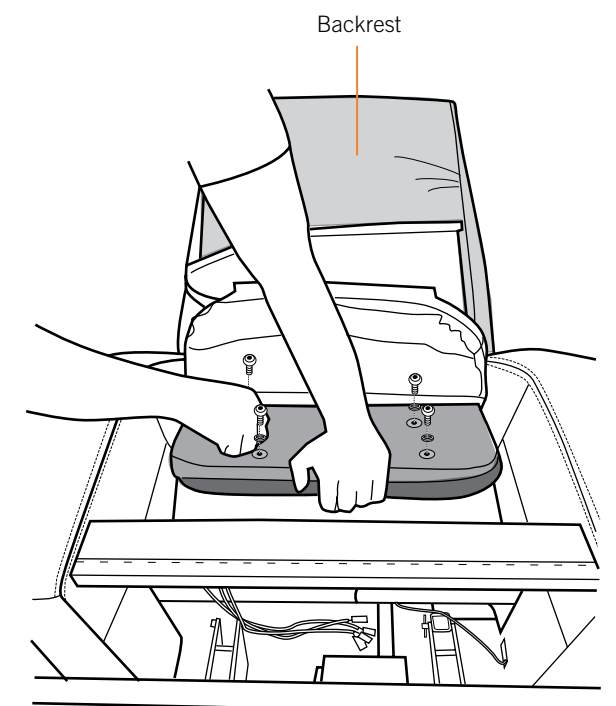


Fig.3

6. Connect the air hose bank to the main control module (Fig.4).

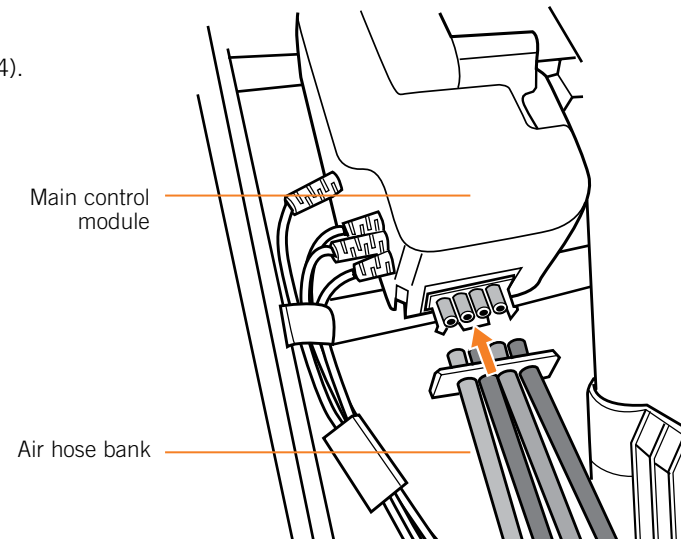


Fig.4

7. Connect the two backrest cables to the corresponding cables from the chair base (Fig.5).

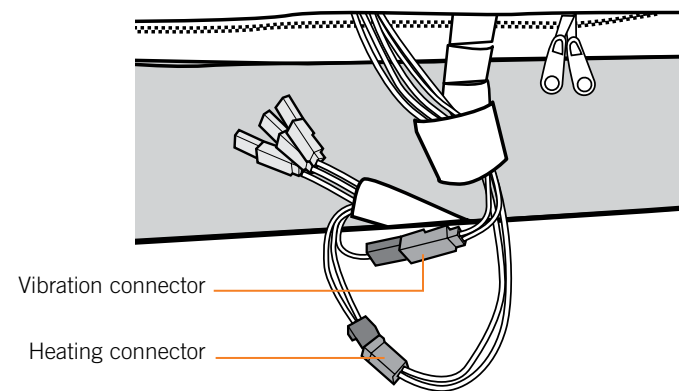


Fig.5

8. Run the power cable out the back of the chair at the lower right corner.

9. Pull firmly downward on the inner upholstery flap, then secure it to the chair base using the hook-and-loop fasteners (Fig.6).

10. Pull firmly on each side of the upholstery flap, stretching it over each corner, then secure the sides to the chair base using the hook-and-loop fasteners (Fig.6).

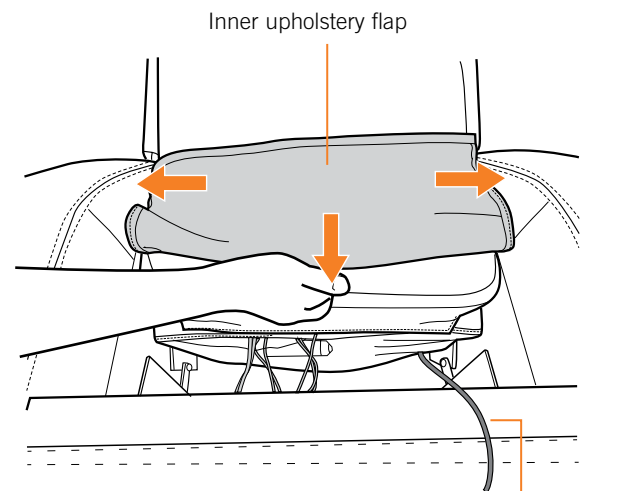


Fig.6

11. Pull downward on the outer upholstery flap, then secure it to the back of the cross bar using the hook-and-loop fasteners (Fig.7).

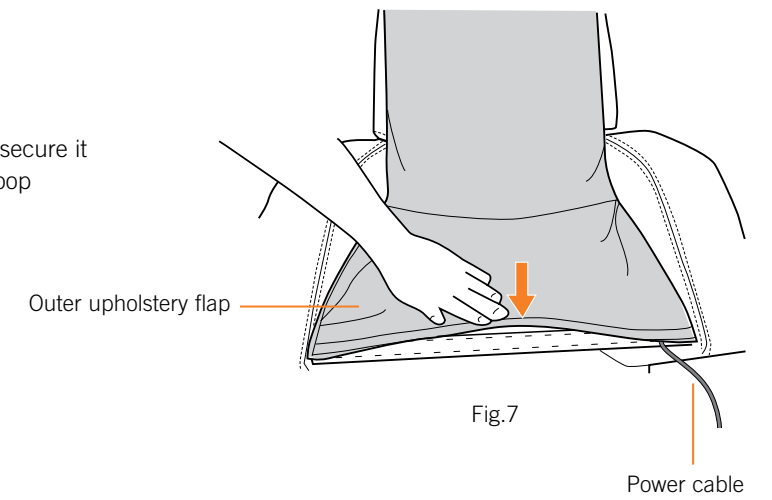


Fig.7

12. Screw the six round levelers (provided) into the corresponding screw holes (Fig.8).

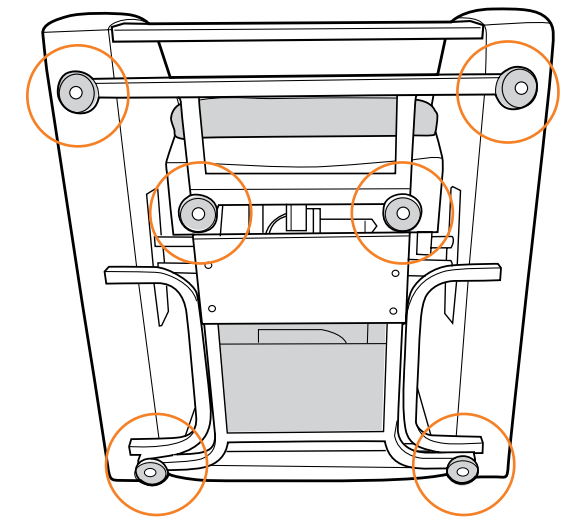


Fig.8

13. Tip the chair to the upright position. Adjust the levelers as necessary for the chair to sit level on the floor.

14. Lift up the backrest cushion, remove the protective strip from the two fabric flaps, then smooth the two fabric flaps downward to secure them to the backrest using the hook-and-loop fasteners (Fig.9).

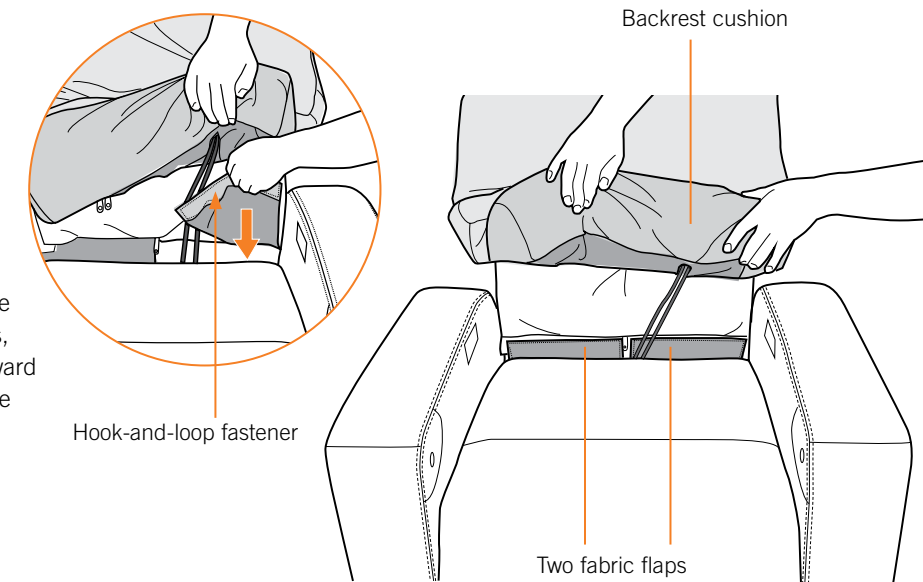
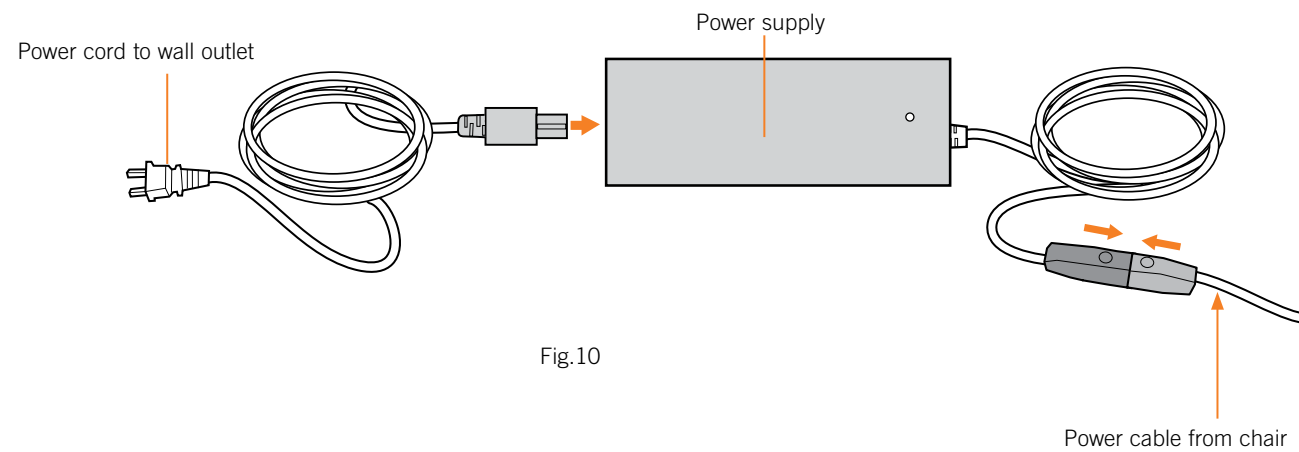


Fig.9

Install the power supply

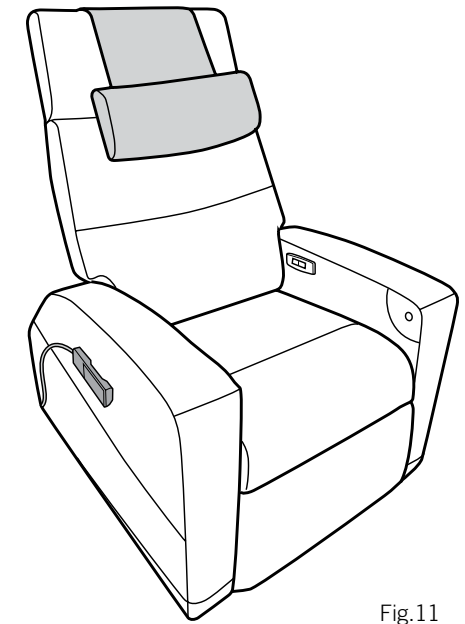
1. Plug the power supply into the power cable coming from the chair base (Fig.10).
2. Plug one end of the power cord into the power supply and the other into a wall outlet (Fig.10).




IMPORTANT: After plugging the power cord into a wall outlet, wait at least ten minutes to allow the backup battery to fully charge before using the chair for the first time.

Install the head pillow

Place the head pillow in the desired position (Fig.11).



Restore the chair before first use

With the assembled chair in the upright position, press and hold the remote **RESTORE**  button for at least three seconds after any chair movement stops to ensure that the chair is fully restored to the landed, upright position with the footrest lowered before using the chair. The chair must be fully restored to function.

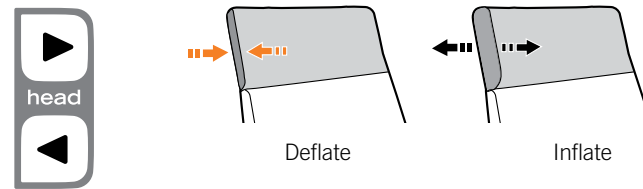
Place the remote

Place the remote on the upper right-hand or left-hand side of the chair; a magnet holds it in place (Fig.11).

take a seat

ADJUST THE HEADREST

Use the remote control **HEAD** button to inflate/deflate the headrest as desired (Fig.12).



Use your hands to manually adjust the headrest angle to the desired position.

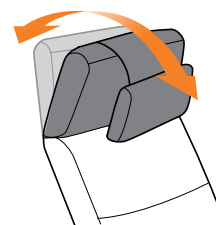


Fig.12

CHOOSE A POSITION

Your zero-gravity recliner comes with a preset **ZeroG** position, with your legs above your heart for maximum comfort.



You can also use the **BACK** and **LEGS** buttons to customize your position (Fig.13).

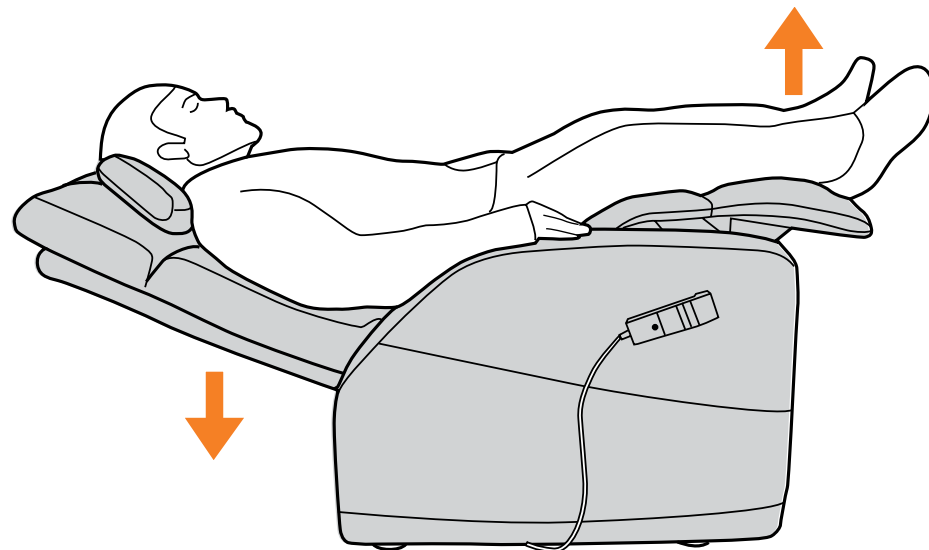
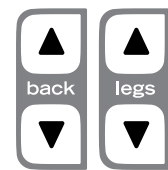


Fig.13

Using your zero gravity recliner is easy. Just take a seat and press the ZeroG button to recline to a zero gravity position, or customize your own position. Need assistance sitting down? Just use the LIFT button to raise the chair, take a seat, then lower the chair back to a horizontal position.

USE THE LIFT ASSIST FEATURE FOR AN EASIER EXIT/ENTRY

With the backrest in the upright position and the footrest fully retracted, press and hold the remote control **LIFT** button to raise the chair for an easier entry or exit.

To lower the chair to the floor, press and hold the **LIFT** button again. Continue holding for a second or two after the chair is flat on the floor; the chair must be fully restored before any other position adjustments can be made (Fig.14).

NOTE: To change direction while the chair is lifting, release the button for five seconds, then press and hold it again to lower the chair to the floor.

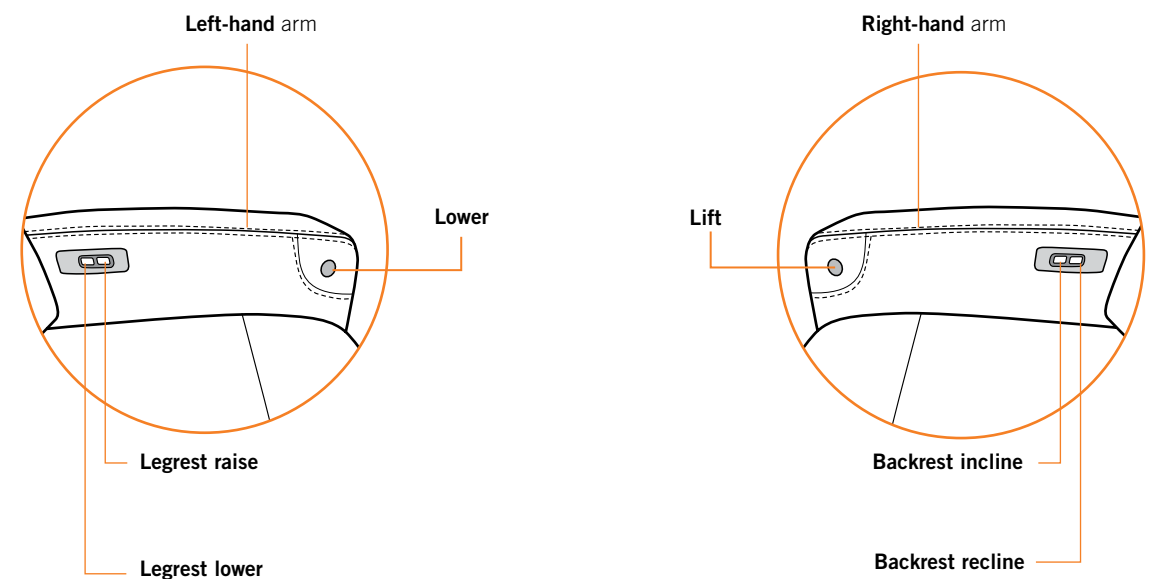
WARNING: The underside of the chair lights when lifting/lowering to illuminate the area underneath the chair. Make sure the area underneath the chair is free of any obstruction before lowering the chair to prevent injury or damage.



Fig.14

USING THE IN-ARM CONTROLS

You can also use the convenient in-arm buttons to control the chair position. To lock the in-arm buttons, press the **RESTORE** and **MASSAGE** remote buttons simultaneously; the HEAT, MASSAGE, and STOP LEDs flash. Repeat this step to unlock the in-arm buttons.



WARNING: Do not sit or stand on the reclined headrest or deployed legrest, as this will permanently damage your chair and void your warranty. Also, don't move or carry chair by holding onto the legrest. Be sure the area underneath the chair is clear before inclining the chair, to prevent injury to children and pets.

take control

Once you're in the desired position, you can use the memory setting to store it for future use. Then choose one of four vibration massage programs. And don't forget to add soothing seat and backrest heat for extra muscle relaxation.

LIFT: Press and hold to lift the chair for easier entry/exit; press and hold again to lower the chair to the floor. **NOTE:** To change while the chair is lifting, release the button for five seconds, then press and hold it again to lower the chair to the floor. **WARNING:** The underside of the chair lights when lifting/lowering to illuminate the area underneath the chair. Make sure the area underneath the chair is free of any obstruction before lowering the chair to prevent injury or damage. **NOTE:** When the chair is in the **LIFT** position, all other functions are disabled.

RESTORE: Press and hold to restore the chair to the upright position with the footrest lowered. **IMPORTANT:** Continue pressing the **RESTORE** button for at least three seconds after the chair stops moving, to ensure that the chair motors are fully restored. The chair must be fully restored to function.

ZeroG: Press to automatically recline the chair to the ZeroG® position. To stop the automatic recline, just press the button again.

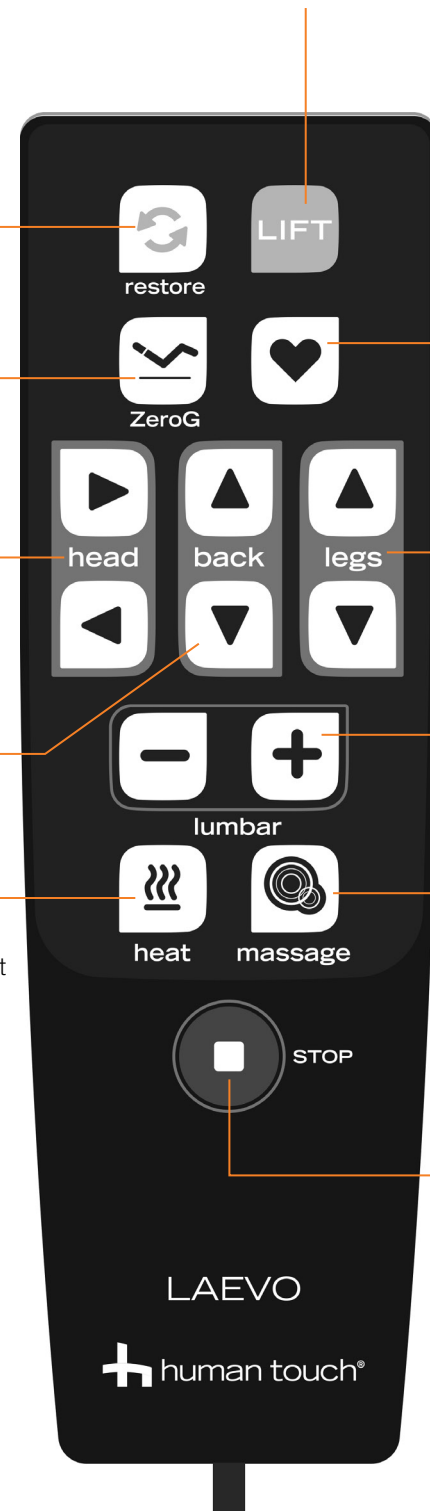
HEAD: Press and hold to inflate or deflate the headrest.

BACK: Press and hold to raise or lower the backrest.

HEAT: Press to toggle through the following heat settings:

- Red - backrest, seat and legrest heat
- Green - backrest heat only
- Orange - seat heat only
- Violet - legrest heat only

The heat automatically turns off after 15 minutes.



MEMORY: To save the chair's current backrest and legrest position for easy recall, press and hold the **MEMORY** button until it flashes blue. Press the **MEMORY** button to recall the saved position.

LEGS : Press and hold to raise or lower the legrest.

LUMBAR: Press and hold to inflate or deflate the lumbar support. **NOTE:** The lumbar support automatically deflates very slowly over time.

MASSAGE: Press to toggle through the following vibration massage programs:

- Red – Full-body massage
- Green – Back massage
- Orange – Seat massage
- Purple – Leg massage

STOP: Press to deactivate the Heat and Massage functions; press again to enable them.

USING THE BACKUP BATTERY

Your zero gravity recliner comes with a rechargeable lithium-ion battery pack, to ensure that you can incline and exit the chair if a power failure occurs. See documentation included with the battery pack for installation instructions.

IMPORTANT: To incline the chair during a power failure, press and hold the restore button to automatically restore the chair to the upright position.

care, maintenance, warranty

To keep your product working and looking its best, please follow these simple care guidelines. Any other servicing is to be performed by an authorized service representative.

WARNING:

1. Be sure to disconnect the power cord from the electrical outlet before cleaning.
2. When cleaning the hand controller or power switch, use a dry cloth only. Never use a damp cloth to clean the hand controller or power switch.
3. Be sure to test any cleaning solution on a small, inconspicuous part of the product to ensure that the color does not fade prior to using the solution on the entire product surface.
4. Do not use benzene, thinner or any other solvents on your product.

Cleaning Code Standard: W

To maintain your Human Touch product in optimum condition, dust it frequently and/or vacuum it with a soft brush vacuum extension. If your product becomes dirty, use a water-based upholstery cleaner only. To treat stains, spot clean with an upholstery shampoo or a mild detergent foam.

Maintenance and Repair:

1. The mechanics of this product are specially designed and constructed to be maintenance free. No periodic lubrication or servicing is required.
2. Servicing is to be performed only by an authorized service representative.

Use and Storage Environment:

1. When not in use for a long period of time, we recommend that the chair be covered, the power cord be coiled and that the unit be placed in an environment free of dust and moisture.
2. Do not store near heat or open flame.
3. Do not leave this product exposed to direct sunlight for long periods of time. This may cause fading or damage.
4. Do not use or store in extreme temperatures; product stored in cold temperatures may require 48 hours at room temperature to function properly.
5. Product should be used and stored in an environment with non-condensing humidity ranging from 10 to 80%; excessive humidity will damage the mechanics.
6. For indoor use only.

having trouble?

Should your chair exhibit any abnormal behavior, please do the following to fully reset the chair. As with any other electronics, this simple reset sequence will resolve many issues.

1. Unplug the chair from the power source.
2. Wait 30 seconds.
3. Plug the chair back into the power source.

If your chair has no power:

1. **Check the power cord** - Make sure the power cord connection to the chair is secure and that the power cord is not damaged.
2. **Check the wall outlet** - Plug a known working device into the outlet to ensure the outlet is working.

If the chair is stuck in position after a power outage:

When a power outage occurs and the chair is not connected to the battery backup or the battery backup loses all charge before power is restored, you need to reset the chair as follows:

1. Recline the backrest as far as it will go, then restore it to the full upright position.
2. Raise the footrest as high as it will go, then lower it completely.
3. Lift the chair as high as it will go, then lower it all the way to the floor.

If your issue remains, please do the following before contacting our customer experience team (this will help us help you much more quickly):

1. Locate the serial number on label on the back of your chair, underneath the upholstery flap, and write it down.
2. Locate your proof of purchase, as we will need it to process any warranty claim.
3. Now you're ready to contact us!

Having Trouble? Contact our Customer Experience team at **800-355-2762**,
Monday – Thursday 7 AM to 4:30 PM PST, Friday 7 AM to 3:30 PM
or **csadmin@humantouch.com**

Laevo Specifications*

Operating Voltage:	AC110-120V 60 Hz
Power Consumption:	95W
Chair Size (upright):	37"L x 33.75"W x 49"H
Chair Size (reclined):	62.75"L x 37"W x 30"H
Product Weight:	153 Lbs.
Required Recline Clearance:	20"
Maximum Deployed Footrest Load Weight:	22 Lbs.
Maximum Load Weight:	285 Lbs.

*Specifications are subject to change without prior notice.



humantouch.com
800.355.2762



mode d'emploi et d'entretien

FRANÇAIS

Enregistrez votre produit **EN LIGNE** dès maintenant

www.humantouch.com/register

Enregistrez votre produit **EN LIGNE** dès maintenant

www.humantouch.com/register



Grâce à une expérience de plus de quatre décennies, Human Touch s'est établi comme un chef de file de l'industrie en changeant la vie de ses clients grâce à des produits et services qui les aident à se sentir mieux, à performer davantage et à être à leur meilleur. Élaborés en collaboration avec des experts du domaine médical et de l'industrie, nous offrons des produits qui allient une technologie brevetée, le savoir-faire et une ergonomie intelligente avec une conception supérieure : le soulagement thérapeutique pour tous.

Nos fauteuils de massage, nos fauteuils inclinables PerfectChair^{MD} et notre gamme de solutions innovantes possèdent tous les mêmes attributs en matière de convivialité, de souci de la performance et de la qualité, en plus d'une conception qui s'adapte à la plupart des modes de vie. Ces qualités sont très appréciées de nos clients et nous méritent de nombreuses reconnaissances et de nombreux prix dans l'industrie. Ainsi, Human Touch permet aux gens de vivre en meilleure santé, avec plus de vitalité, que ce soit au niveau professionnel ou personnel, au quotidien. Alors que de plus en plus de gens prennent conscience des bienfaits du mieux-être, Human Touch élargit son leadership de marque et offre des solutions dont tous peuvent profiter.

humantouch.com



Enregistrez votre produit à www.humantouch.com pour qu'il figure dans notre système, ce qui simplifiera le processus de la garantie, si jamais vous en aviez besoin.

LAEVO

ZG CHAIR

WITH *LIFT ASSIST*

FAUTEUIL ZG AVEC AIDE À L'ENTRÉE/SORTIE

LE LAEVO FAUTEUIL ZG DE COMBINE HABILLEMENT LE MEILLEUR DE L'ESTHÉTIQUE ET DU BIEN-ÊTRE DANS UN SIÈGE. DE PLUS, IL COMPORTE UNE FONCTION D'AIDE À L'ENTRÉE/SORTIE QUI TRANSCENDE LES NORMES DE CONFORT LES PLUS ÉLEVÉES.

Le Laevo offre une inclinaison en douceur qui vous permet d'expérimenter une sensation d'apesanteur et qui berce votre corps pour procurer une relaxation inégalée.

La fonction de mémoire permet de configurer la position parfaite pour que vous puissiez aisément retourner à votre siège favori à l'aide d'un seul bouton. Puis, asseyez-vous tout simplement et profitez de la chaleur de votre fauteuil chauffant et du massage par vibration apaisant.

Vous êtes prêt à sortir du fauteuil? Grâce aux commandes faciles d'accès à l'accoudoir, une pression d'un bouton vous relève à une position sécuritaire et accessible qui vous permet de sortir aisément.

consignes de sécurité

CONSIGNES DE SÉCURITÉ IMPORTANTES

Lorsque vous utilisez un appareil électrique, vous devez toujours suivre les précautions de base suivantes :

Lisez toutes les instructions avant d'utiliser cet appareil.



DANGER : Afin de réduire les risques d'électrocution :

Débranchez toujours cet appareil de l'alimentation électrique dès que vous avez fini de l'employer et avant de le nettoyer.



MISE EN GARDE : Afin de réduire les risques de brûlure, d'incendie, d'électrocution ou de blessure :

- Si le cordon d'alimentation est endommagé, il doit être remplacé par le fabricant, son représentant de service ou un technicien qualifié afin d'éviter tout danger.
- Un appareil ne devrait jamais être laissé sans surveillance lorsqu'il est branché. Débranchez l'appareil de l'alimentation lorsque vous ne l'employez pas et avant d'y insérer ou d'en retirer des pièces.
- Ne faites pas fonctionner cet appareil une couverture ou sous un oreiller. Une surchauffe pourrait survenir et causer un incendie, une électrocution ou des blessures. Gardez les enfants à l'abri du repose-pied déployé (ou autres pièces semblables).
- Une surveillance étroite est nécessaire lorsque ce fauteuil est employé près ou par des enfants ou des personnes handicapées.
- Employez ce fauteuil à ce pour quoi il a été conçu, tel que décrit dans ce guide. Employez uniquement les accessoires recommandés par le fabricant.
- N'employez jamais ce produit si son cordon ou sa fiche d'alimentation sont endommagés, s'il ne fonctionne pas correctement, s'il a été échappé ou endommagé ou s'il a été immergé. Retournez ce fauteuil à un centre de service pour examen et réparation.
- Ne transportez pas cet appareil en tirant sur son cordon d'alimentation. N'utilisez pas le cordon d'alimentation comme une poignée.
- Éloignez toujours le cordon d'alimentation de toute source de chaleur.
- Ne faites jamais fonctionner ce fauteuil si ses trappes d'aération sont obstruées. Maintenez les trappes d'aération exemptes de peluche, de cheveux et de substances semblables.
- N'échappez ni n'insérez jamais aucun objet dans aucune ouverture.
- N'employez pas ce fauteuil à l'extérieur.
- Ne faites pas fonctionner dans un endroit où on utilise des produits à bombe aérosol (vaporisateur) ou dans un endroit où de l'oxygène est administré.
- Pour débrancher, mettez toutes les commandes à la position O (arrêt) et retirez la fiche de la prise.
- Ne massez aucune partie du corps qui soit enflée, enflammée ou présentant des éruptions.
- Ne massez pas vos jambes si vous souffrez de douleurs idiopathiques.
- N'employez pas cet appareil sur une surface humide ou lorsqu'une partie de votre corps est en contact avec une structure de plomberie ou autre structure similaire.
- N'employez pas ce fauteuil s'il émet un bruit plus élevé que le son normal.
- Ne vous mettez pas debout sur ou dans l'appareil. N'utilisez cet appareil qu'en position assise.
- Utilisez les surfaces chauffantes avec précaution. Risque de brûlures graves. N'utilisez pas cet appareil sur une zone épidermique sensible ou si vous souffrez de mauvaise circulation sanguine. Ce produit peut être dangereux s'il est utilisé par des enfants ou des personnes handicapées sans surveillance.
- Afin de réduire les risques d'électrocution, cet appareil est doté d'un cordon à fiche polarisée (une lame est plus large que l'autre). Cette fiche ne s'insère que dans un seul sens dans une prise polarisée. Si la fiche ne s'insère pas entièrement dans la prise, inversez la fiche. Si elle ne s'insère toujours pas entièrement, contactez un électricien qualifié pour faire installer une prise appropriée. Ne modifiez pas la fiche d'alimentation électrique.

- Pour le chargement, afin d'aider à éviter la possibilité qu'un article se renverse, mettez toujours les articles les plus lourds en dessous et non près du haut.
- La charge maximale prévue est de 285 livres.
- Risque d'incendie et de décharge électrique, utilisez uniquement un cordon d'alimentation AWG « 2x18 » de type « SJT ».
- Lorsque vous ne l'utilisez pas, retirez la télécommande et rangez-la hors de portée des enfants. Pour débrancher la télécommande, déconnectez son connecteur du module de commande principal qui se trouve en dessous du fauteuil.
- Utilisez uniquement des piles alcalines de 9 V.

Consignes de sécurité

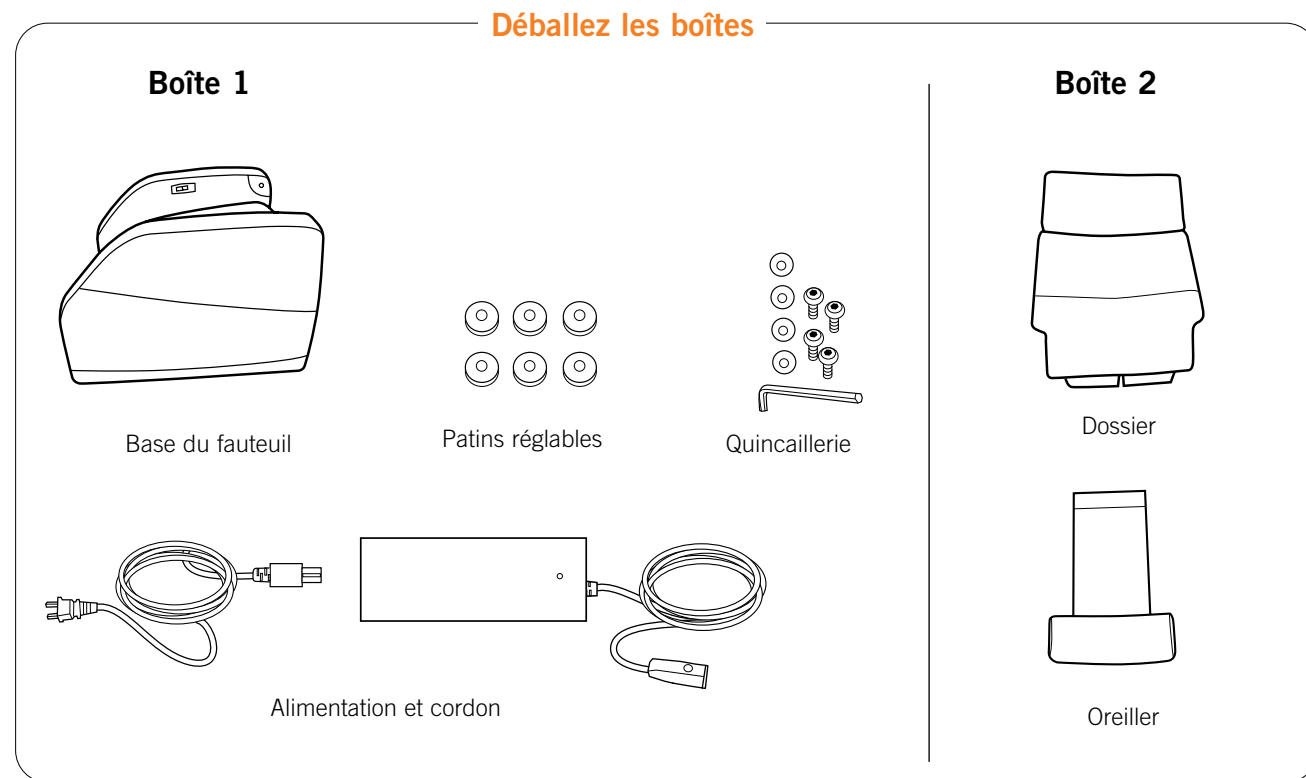
- Nous recommandons le port de vêtements confortables pour l'emploi de ce produit.
- Si vous éprouvez un inconfort anormal lorsque vous employez ce produit, éteignez-le immédiatement et cessez son emploi. Consultez votre médecin.
- Ne vous assoyez pas sur le système de commande.
- Ne tirez pas sur le cordon d'alimentation.
- Si vous employez ce produit après une période de rangement prolongée, vérifiez son bon fonctionnement au préalable.
- Assurez-vous toujours qu'aucun obstacle ne se trouve derrière le fauteuil. Assurez-vous de disposer d'un espace suffisant pour incliner le fauteuil.

CONSERVEZ CE MODE D'EMPLOI

- Ce fauteuil est conçu pour un usage personnel au foyer. Tout usage à des fins commerciales annulera la garantie.
- **Ne réparez pas ce fauteuil vous-même.**

préparez-vous

Votre fauteuil inclinable nécessite un assemblage simple. Il vous suffit de fixer le dossier à la base du fauteuil, de raccorder les tuyaux et les câbles, de placer l'oreiller et la télécommande, et vous voilà prêt!



ASSEMBLEZ LE FAUTEUIL

Installez le dossier

1. Inclinez le fauteuil vers l'avant sur la partie avant de la base (Fig. 1).

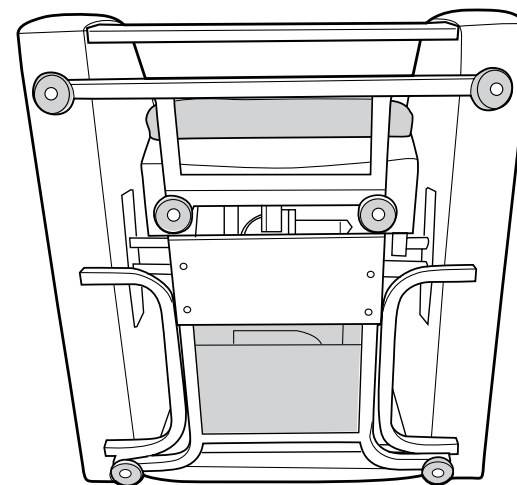


Fig.1

2. Placez le dossier à l'avant de la base du fauteuil, puis acheminez les câbles de dossier et les tuyaux entre le coussin de siège et le cadre de montage du dossier (Fig. 2).

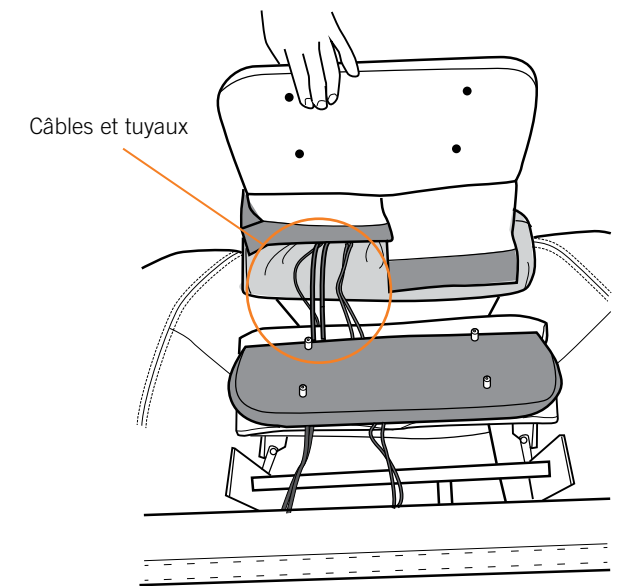


Fig.2

3. Mettez le dossier face vers le bas sur l'arrière de la base du fauteuil (Fig. 3).
4. Tout en soutenant le dossier, alignez les quatre trous sur la plaque de montage du dossier avec les montants correspondants sur la base du fauteuil, puis appuyez fermement la plaque de montage contre les montants (Fig. 3).
5. Posez une rondelle sur chaque vis, puis installez les quatre vis pour fixer le dossier (Fig. 3).

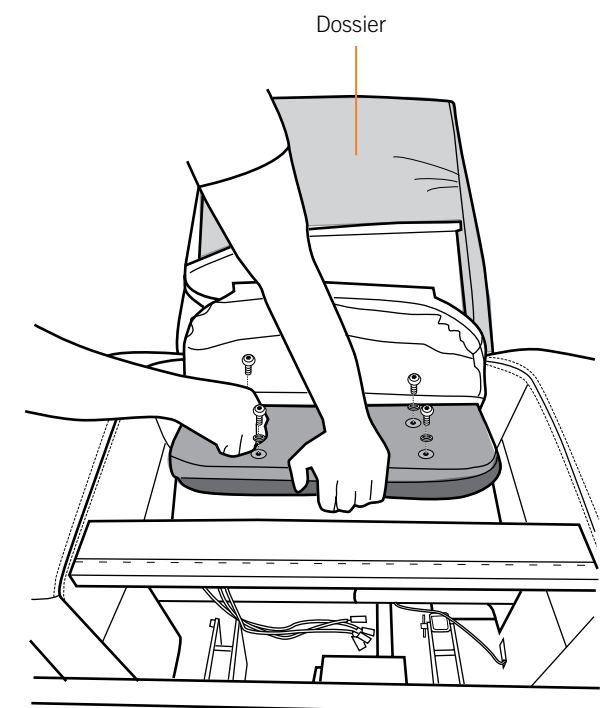


Fig.3

6. Branchez la rangée de tuyaux d'air sur le module de commande principal (Fig. 4).

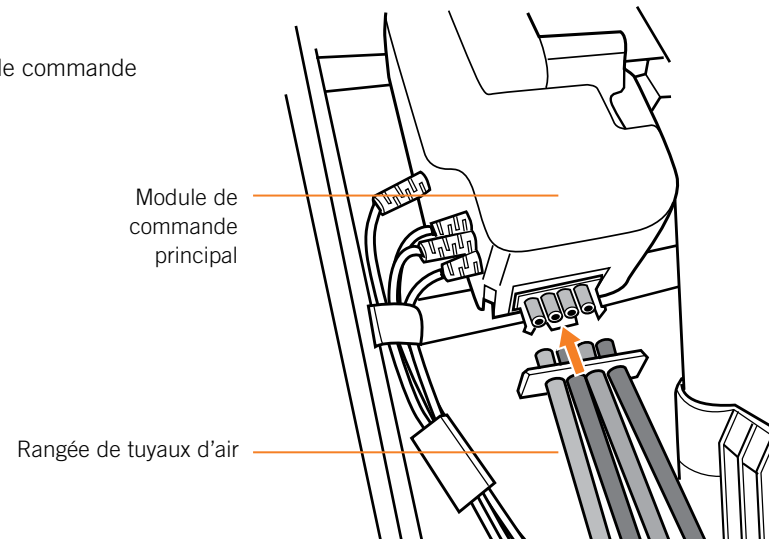


Fig.4

7. Branchez les deux câbles de dossier sur les câbles correspondants de la base du fauteuil (Fig. 5).

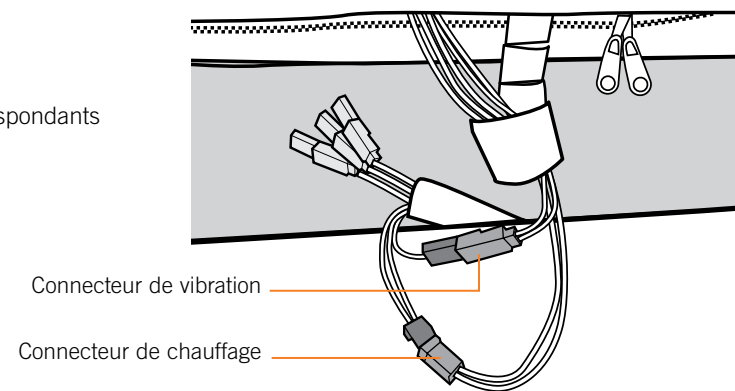


Fig.5

8. Acheminez les câbles d'alimentation hors du dossier du fauteuil au niveau du coin inférieur droit.

9. Tirez fermement vers le bas sur le rabat interne de garnissage, puis fixez-le fermement dans la base du fauteuil en utilisant les fermetures autoagrippantes (Fig. 6).

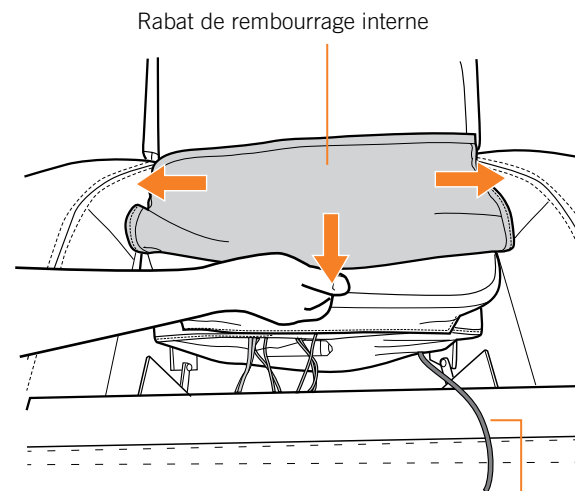


Fig.6

10. Tirez fermement de chaque côté du rabat de garnissage en l'étirant sur chaque côté, puis fixez fermement les côtés à la base du fauteuil en utilisant les fermetures autoagrippantes (Fig. 6).

11. Tirez vers le bas sur le rabat externe de garnissage, puis fixez-le à l'arrière de la barre transversale en utilisant les fermetures autoagrippantes (Fig. 7).

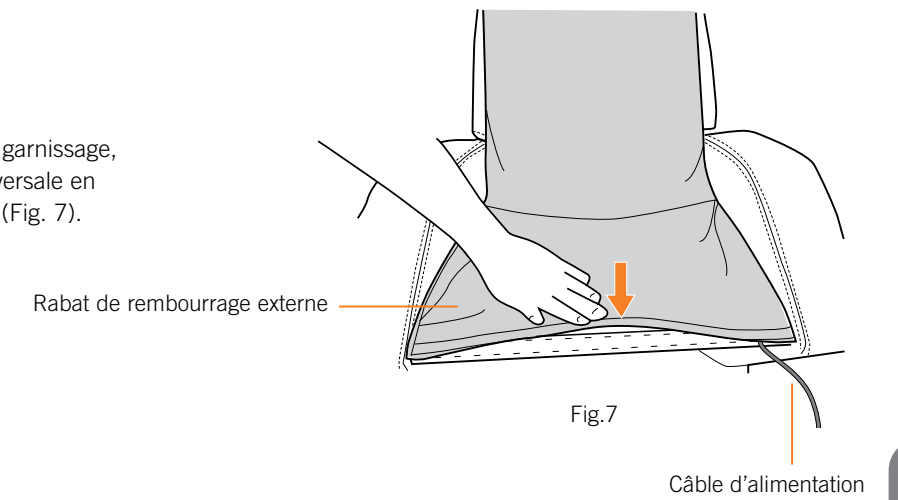


Fig.7

12. Inclinez le fauteuil en position relevée.

13. Soulevez le coussin de dossier, retirez la bande protectrice des deux rabats en tissu, puis pressez sur les deux rabats en tissu pour les fixer en les utilisant les fermetures autoagrippantes (Fig. 8).

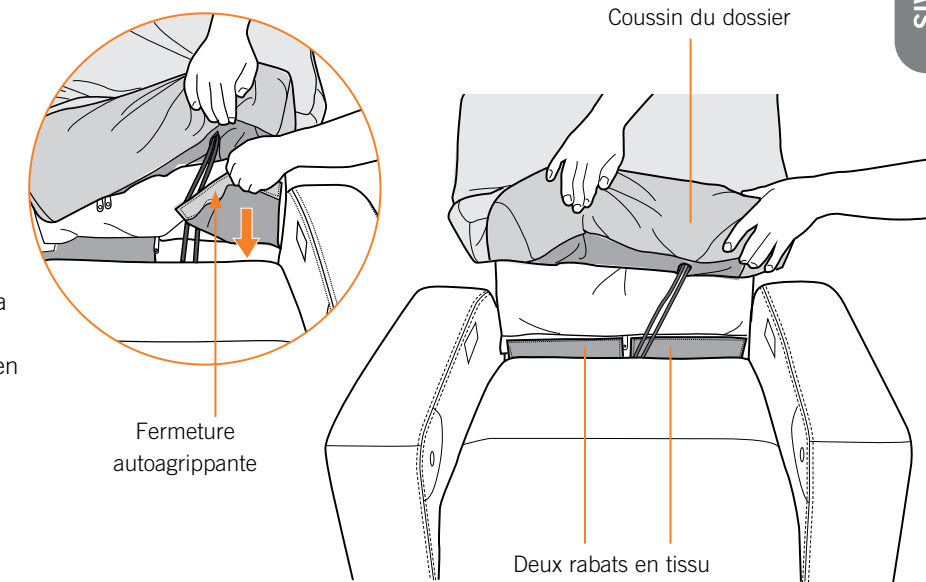


Fig.8

14. Vissez les six patins réglables ronds dans les trous correspondants. Au besoin, procédez à l'ajustement pour que le fauteuil repose au niveau sur le plancher.

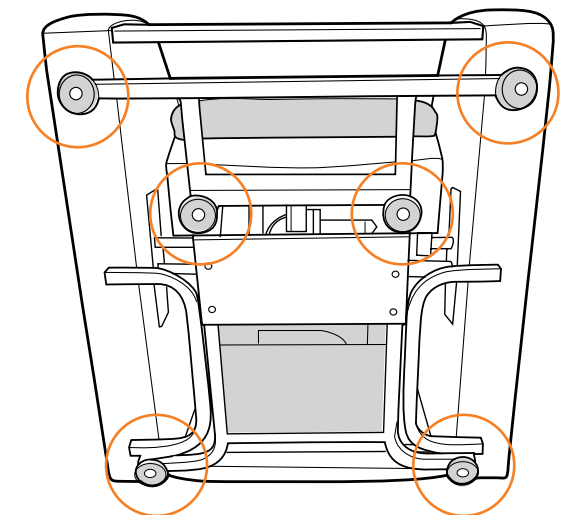
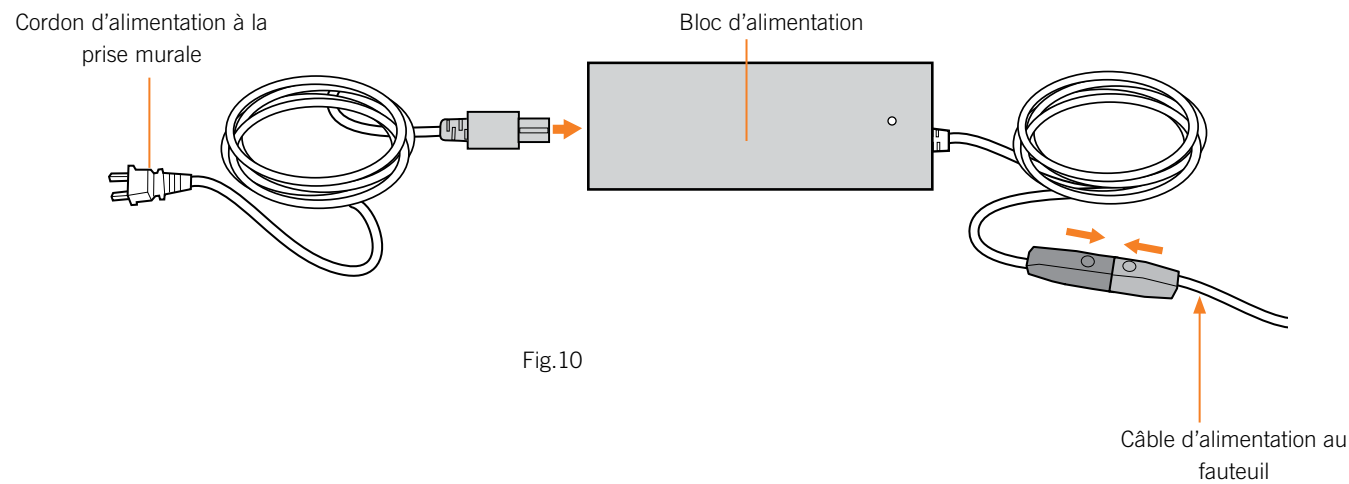


Fig.9

Poser le bloc d'alimentation

1. Branchez le bloc d'alimentation dans le câble d'alimentation sortant de la base du fauteuil (Fig. 10).
2. Branchez une extrémité du cordon d'alimentation dans le bloc d'alimentation et l'autre dans la prise murale (Fig. 10).



IMPORTANT: Après avoir branché le cordon d'alimentation dans une prise murale, attendez au moins dix minutes pour permettre à la pile de secours de se charger complètement avant d'utiliser le fauteuil pour la première fois.

Installez l'oreiller

Placez l'oreiller à la position souhaitée (Fig. 11).

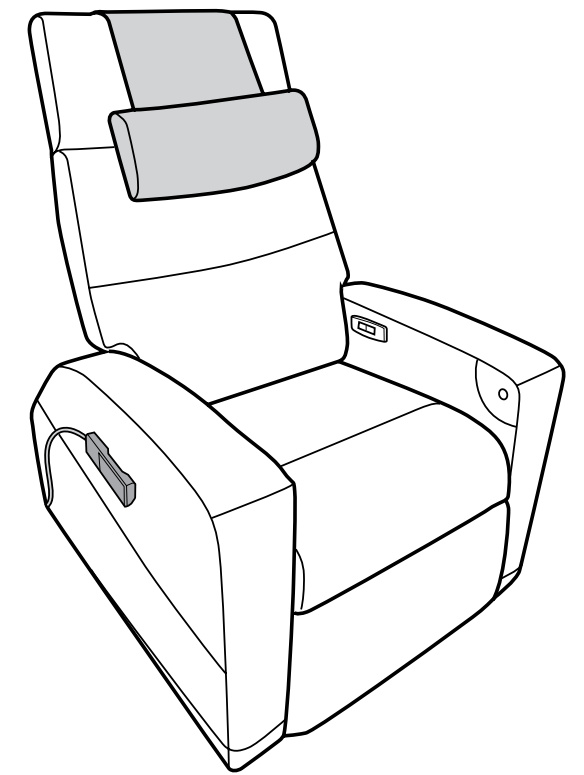



Fig.11

Restaurer la position du fauteuil avant l'utilisation initiale

Alors que le fauteuil assemblé est en position relevée, maintenez enfoncé le bouton **RESTORE**  (Restaurer) pendant au moins trois secondes après l'arrêt du mouvement du fauteuil pour vous assurer que le fauteuil est revenu complètement à la position relevée initiale avec le repose-pieds abaissé, avant de l'utiliser. Le fauteuil doit être en position complètement relevée pour fonctionner.

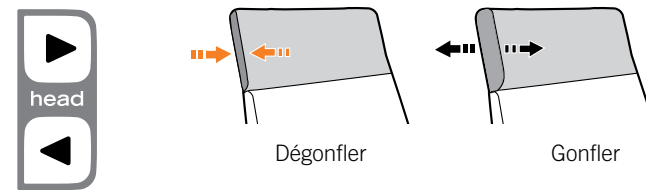
Positionner la télécommande

Placez la télécommande du côté supérieur droit ou gauche du fauteuil; un aimant la tient en place (Fig. 11).

Prendre position

AJUSTER L'OREILLER

Utilisez le bouton **HEAD** de la télécommande pour gonfler/dégonfler l'appui-tête comme vous le souhaitez (Fig.12).



Utilisez vos mains pour régler manuellement l'angle d'appui-tête à la position souhaitée.

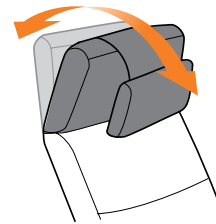


Fig.12

CHOISIR UNE POSITION

Votre fauteuil inclinable zéro gravité est muni d'une position prédéfinie **ZeroG** qui fait en sorte que vos jambes sont plus hautes que votre cœur pour ainsi procurer un confort maximum.

Vous pouvez aussi utiliser les boutons **BACK** (dos) et **LEGS** (jambes) pour personnaliser votre position (Fig. 13).

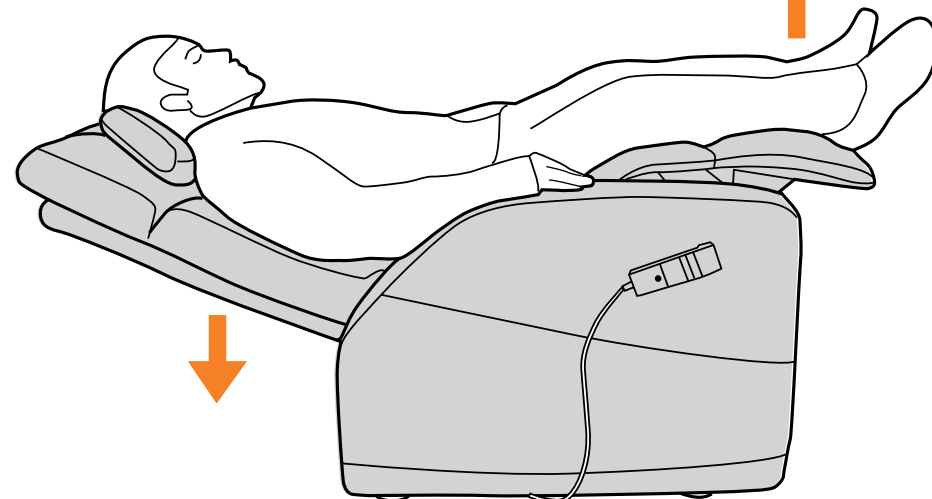
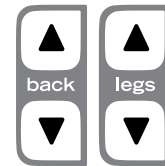


Fig.13

MISE EN GARDE : Ne vous assoyez pas et ne vous tenez pas debout sur l'appui-tête incliné ou le repose-jambes déployé, car cela endommagera votre fauteuil de façon permanente et annulera la garantie. De plus, ne bougez pas et ne transportez pas le fauteuil en le tenant par le repose-jambes. Pour éviter de blesser vos enfants ou votre animal domestique, veillez à ce que le dessous du fauteuil soit dégagé avant d'incliner le fauteuil.

L'utilisation de votre fauteuil inclinable zéro gravité est aisée. Il suffit de s'asseoir et d'appuyer sur le bouton ZeroG pour l'incliner à une position zéro gravité ou de personnaliser votre propre position. Vous avez besoin d'aide pour vous asseoir? Vous n'avez qu'à utiliser le bouton LIFT pour relever le fauteuil, vous asseoir, puis rabaisser le fauteuil à la position horizontale.

POUR VOUS AIDER À VOUS ASSEoir ET À VOUS LEVER, UTILISEZ LA FONCTION LIFT (SOULÈVEMENT)

Alors que le dossier est en position relevée et que le repose-pied est complètement rétracté, maintenez enfoncé le bouton **LIFT** de la télécommande pour relever le fauteuil afin de faciliter l'entrée ou la sortie. Pour abaisser le fauteuil au plancher, maintenez enfoncé le bouton **LIFT** de nouveau. Continuez à maintenir le bouton pendant une seconde ou deux une fois le fauteuil au sol; le fauteuil doit être complètement revenu en position avant que tout autre réglage de position puisse être effectué (Fig. 14).

REMARQUE : Pour changer la direction pendant que le fauteuil se soulève, relâchez le bouton pendant cinq secondes, puis maintenez-le de nouveau pour abaisser le fauteuil au plancher.

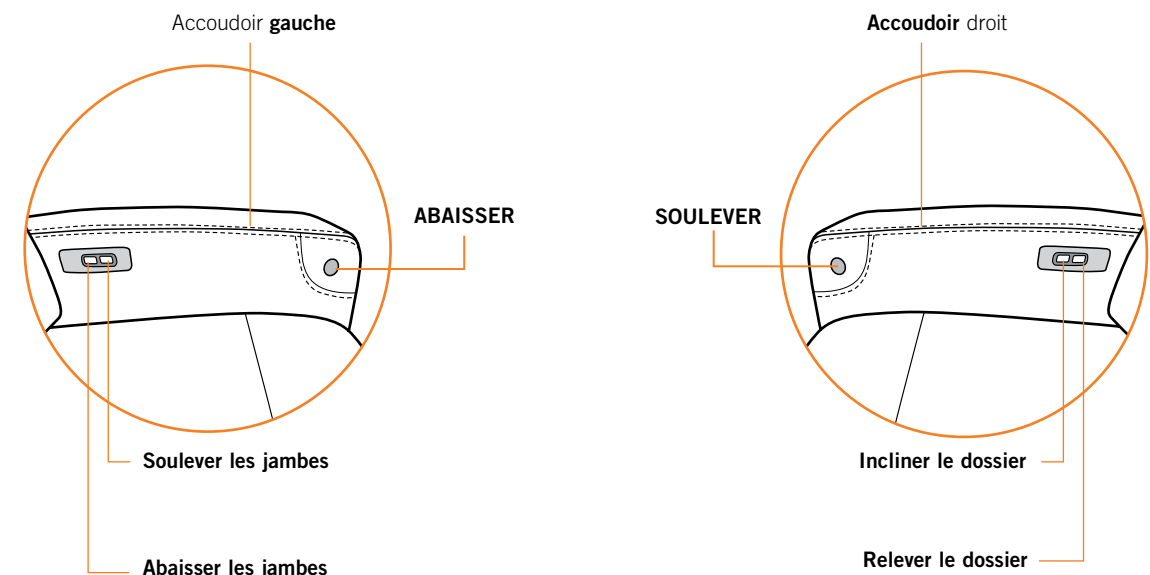
MISE EN GARDE : Le dessous du fauteuil s'éclaire lors du levage/abaissement pour illuminer la zone sous celui-ci. Pour éviter des blessures ou des dommages, assurez-vous que la zone sous le fauteuil est exempte de toute obstruction avant d'abaisser le fauteuil.



Fig.14

UTILISER LES COMMANDES D'ACCOUDOIR

Vous pouvez aussi utiliser les boutons d'accoudoir pour contrôler la position du fauteuil. Pour verrouiller les boutons d'accoudoir, appuyez sur les boutons de contrôle à distance **RESTORE** et **MASSAGE** simultanément; les DEL HEAT, MASSAGE, et STOP clignotent. Répétez cette étape pour déverrouiller les boutons d'accoudoir.



prenez les commandes

Une fois que vous êtes à la position souhaitée, vous pouvez utiliser le réglage de la mémoire pour l'enregistrer pour un usage ultérieur. Puis, choisissez l'un des quatre programmes de massage par vibration. Et n'oubliez pas d'ajouter un coussin pour le fessier et la chaleur au dossier pour une plus grande détente musculaire.

LIFT (soulèvement) : Maintenez enfoncé ce bouton pour soulever le fauteuil afin d'en faciliter l'entrée ou la sortie; maintenez-le de nouveau pour abaisser le fauteuil au plancher. **REMARQUE :** Pour changer la direction pendant que le fauteuil se soulève, relâchez le bouton pendant cinq secondes, puis maintenez-le de nouveau pour abaisser le fauteuil au plancher. **MISE EN GARDE :** Le dessous du fauteuil s'éclaire lors du levage/abaissement pour illuminer la zone sous celui-ci. Afin d'éviter des blessures ou des dommages, assurez-vous que la zone en dessous du fauteuil est exempte de toute obstruction avant d'abaisser le fauteuil. **REMARQUE :** Lorsque le fauteuil est en position **LIFT**, toutes les autres fonctions sont désactivées.

RÉINITIALISER : Lorsque le fauteuil est incliné et/ou que le repose-pied est soulevé, maintenez le bouton enfoncé pour relever le fauteuil en position verticale avec le repose-pied abaissé.

ZeroG: Appuyez pour incliner automatiquement le fauteuil à la position ZeroG. Pour arrêter l'inclinaison automatique, il suffit d'appuyer sur le bouton de nouveau.

HEAD (tête) : Maintenez enfoncé ce bouton pour gonfler et dégonfler l'appuie-tête.

BACK (dossier) : Maintenez enfoncé ce bouton pour soulever et abaisser le dossier.

HEAT (chaleur) : Appuyez sur ce bouton pour basculer entre les réglages de chaleur suivants :

- Rouge - chaleur au dossier, siège et repose-jambes
- Vert - chaleur au dossier uniquement
- Orange - chaleur au siège uniquement
- Violet - chaleur au repose-jambes uniquement

La chaleur s'éteint automatiquement après 15 minutes.



MÉMOIRE : Pour enregistrer la position actuelle du dossier et du repose-jambes du fauteuil afin de la récupérer facilement, maintenez enfoncé le bouton **MÉMOIRE** jusqu'à ce qu'il clignote en bleu. Appuyez sur le bouton **MÉMOIRE** pour utiliser la position enregistrée.

LEGS (jambes) : Maintenez le bouton enfoncé pour soulever ou abaisser le repose-jambes.

LUMBAR (soutien lombaire) : Maintenez le bouton enfoncé pour gonfler ou dégonfler le soutien lombaire. **REMARQUE :** Le soutien lombaire se dégonfle automatiquement très lentement avec le temps.

MASSAGE: Appuyez sur ce bouton pour basculer entre les programmes de massage par vibration suivants :

- Rouge - Massage intégral du corps
- Vert - Massage du dos
- Orange - Massage du siège
- Violet - Massage des jambes

STOP (arrêt) : Appuyez sur ce bouton pour désactiver les fonctions de chaleur et de massage; appuyez de nouveau pour les activer.

UTILISER LA BATTERIE DE SECOURS

Votre fauteuil inclinable zéro gravité est livré avec un bloc-pile au lithium-ion pour s'assurer que vous serez en mesure d'incliner et de sortir du fauteuil si une panne d'électricité se produit. Consultez la documentation comprise avec le bloc-pile pour les instructions d'installation.

IMPORTANT : Pour incliner le fauteuil pendant une prise de courant, maintenez enfoncé le bouton Restore pour remettre automatiquement le fauteuil en position relevée.

soin et entretien

Afin de vous assurer que votre fauteuil fonctionne bien et qu'il conserve une belle apparence, veuillez suivre ces consignes faciles d'entretien.

⚠ MISE EN GARDE :

1. Assurez-vous de débrancher le cordon d'alimentation de la prise électrique avant de le nettoyer.
2. Avant de procéder au nettoyage de toute la surface du produit à l'aide d'une solution nettoyante, veillez à en faire l'essai sur une petite portion camouflée du produit afin de vous assurer qu'elle n'entraîne pas de décoloration.
3. N'utilisez pas de benzène, de diluant ou de solvant pour nettoyer le produit.

Norme de nettoyage : W

Pour maintenir votre produit Human Touch en état optimal, époussetez-le fréquemment ou passez-y l'aspirateur à l'aide d'une brosse douce. Seuls les nettoyants à l'eau pour meubles conviennent au nettoyage de ce produit. Pour traiter les taches, appliquez localement un shampoing pour meubles ou un détergent mousseux doux.

Entretien et réparation :

1. La mécanique de ce fauteuil a été conçue et construite afin de ne nécessiter aucun entretien. Aucune lubrification ni entretien périodique ne sont nécessaires.
2. Les entretiens ou réparations doivent être réalisés par un représentant autorisé à cette fin.

Rangement :

1. Lorsqu'il n'est pas utilisé pendant une longue période de temps, nous recommandons que le président soit couvert et l'unité doit être placée dans un environnement exempt de poussière et l'humidité.
2. Ne le rangez près d'une flamme ou d'une source de chaleur.
3. N'exposez pas cet appareil aux rayons directs du soleil sur une longue période. Cela pourrait le décolorer ou l'endommager.
4. N'utilisez pas et ne rangez pas votre fauteuil dans des températures extrêmes. Les produits rangés au froid peuvent devoir attendre 48 heures à la température de la pièce avant de bien fonctionner.
5. Le produit doit être utilisé et rangé dans un milieu où le taux d'humidité relative sans condensation varie de 10 % à 80 %. Trop d'humidité endommagera la mécanique.
6. Pour une utilisation en intérieur uniquement.

vous éprouvez des difficultés?

Advenant le cas où votre fauteuil présenterait un fonctionnement anormal, veuillez procéder comme suit pour le réinitialiser. Comme pour n'importe quel appareil électronique, cette simple séquence de réinitialisation permettra de résoudre beaucoup de problèmes.

1. Débranchez le fauteuil de la source d'alimentation.
2. Attendez 30 secondes.
3. Rebranchez le fauteuil dans la source d'alimentation.

Si votre fauteuil n'est pas sous tension :

1. **Vérifiez le cordon d'alimentation** - Assurez-vous que la connexion du cordon d'alimentation au fauteuil est bien fixée et que le cordon n'est pas endommagé.
2. **Vérifiez la prise de courant murale.** - Branchez un appareil que vous savez fonctionnel dans la prise pour vous assurer que cette dernière fonctionne.

Si le fauteuil est bloqué en position après une panne de courant :

Lorsqu'une panne de courant se produit et que le fauteuil n'est pas branché à la pile de secours ou que la pile de secours perd toute sa puissance avant la fin de la panne, vous devez réinitialiser le fauteuil comme suit :

1. Inclinez le fauteuil aussi loin que possible, puis remettez-le à sa position complètement relevée.
2. Soulevez le repose-pied au maximum, puis abaissez-le complètement.
3. Soulevez le fauteuil au maximum, puis abaissez-le complètement jusqu'au sol.

Si le problème persiste, veuillez faire ce qui suit avant de contacter notre équipe de l'expérience client (ceci nous aidera à vous assister beaucoup plus rapidement) :

1. Repérez le numéro de série sur l'étiquette à l'arrière de votre fauteuil, en dessous du rabat de garniture et prenez-en note.
2. Trouvez votre preuve d'achat, car vous en aurez besoin pour traiter toute réclamation sous garantie.
3. Vous êtes maintenant prêt à nous contacter!!

Vous éprouvez des difficultés? Contactez notre équipe du service à la clientèle au **800 355-2762**, du lundi au jeudi de 7 h à 16 h 30, le vendredi de 7 h à 15 h 30 HNP ou à l'adresse courriel **csadmin@humantouch.com**

Spécifications du Laevo*

Tension de fonctionnement :	110 à 120 volts CA, 60 Hz
Consommation d'énergie :	95 W
Dimension de la chaise (dépliée) :	94 cm Lon. x 86 cm Lar. x 125 cm Hau.
Dimensions du fauteuil (incliné) :	160 cm Lon. x 94 cm Lar. x 76 cm Hau.
Poids du produit :	69,4 kg
Dégagement d'inclinaison requis :	50,80 cm
Poids de charge maximal du repose-pied :	10 kg.
Poids de charge maximal :	129,27 kg

*La fiche technique est sujette à modifications sans préavis.